



LB-90-25-C2-3.5F Standard Gain Horn Antenna 8.2-12.4GHz 25dB Gain 3.5mm Female

Standard Gain Horn Antenna Operating From 8.2GHz to 12.4GHz With a Nominal 25dB Gain With 3.5mm Female Connector

Product Information

| | |
|-----|------------------|
| SKU | LB-90-25-C2-3.5F |
|-----|------------------|

Description

Standard Gain Horn Antenna LB-90-25-C2-3.5F, operating from 8.2 to 12.4GHz with a nominal 25dB gain and low VSWR 1.25:1 with 3.5mm Female connector output. The model LB-90-25-C2-3.5F has uniform gain through its frequency span, providing efficient performance characteristics and directionality. It can handle 50W continuously and 100W peak power. Constructed of lightweight corrosion-resistant aluminum, the antenna will provide years of trouble-free indoor and outdoor service. This standard gain horn antenna is linearly polarized and ideally suited for EMI testing, direction finding, surveillance, antenna gain and pattern measurements and other applications.

Technical Specification

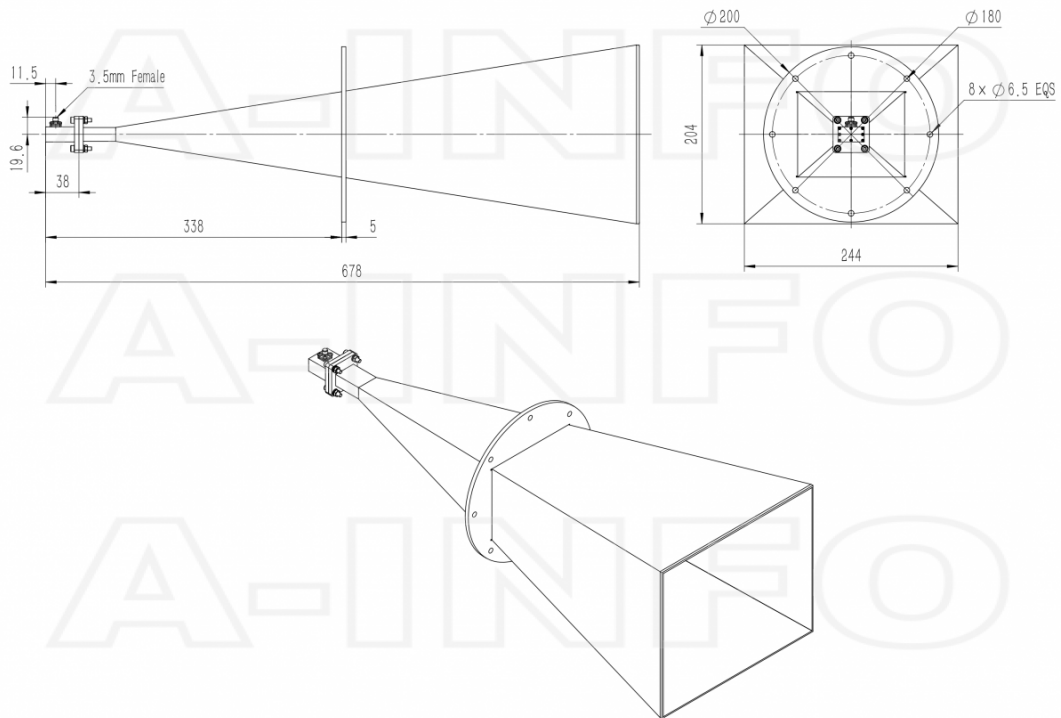
| Electrical Specification | | Interface | |
|------------------------------------|-------------|--------------------------|---|
| Frequency, Min (GHz) | 8.2 | Output Type | Coaxial |
| Frequency, Max (GHz) | 12.4 | Connector | 3.5mm |
| Waveguide Type | Rectangular | Connector Gender | Female |
| Waveguide Size EIA WR | WR90 | Mechanical Specification | |
| Gain, Typ (dBi) | 25 | Figure | C Type |
| Polarization | Linear | Body Material | Al |
| 3dB Beamwidth, E-Plane, Typ (Deg.) | 8 | Finish | Chemical Conversion Coating, Gray Paint |
| 3dB Beamwidth, H-Plane, Typ (Deg.) | 10 | Size, W (mm) | 244 |
| Cross Pol. Isolation, Typ (dB) | 35 | Size, H (mm) | 204 |
| VSWR, Typ | 1.25:1 | Size, L (mm) | 678 |
| Impedance, (Ohm) | 50 | Weight, (kg) | 1.9 |
| Power Handling, CW, (W) | 50 | | |
| Power Handling, Peak, (W) | 100 | | |

Additional Information

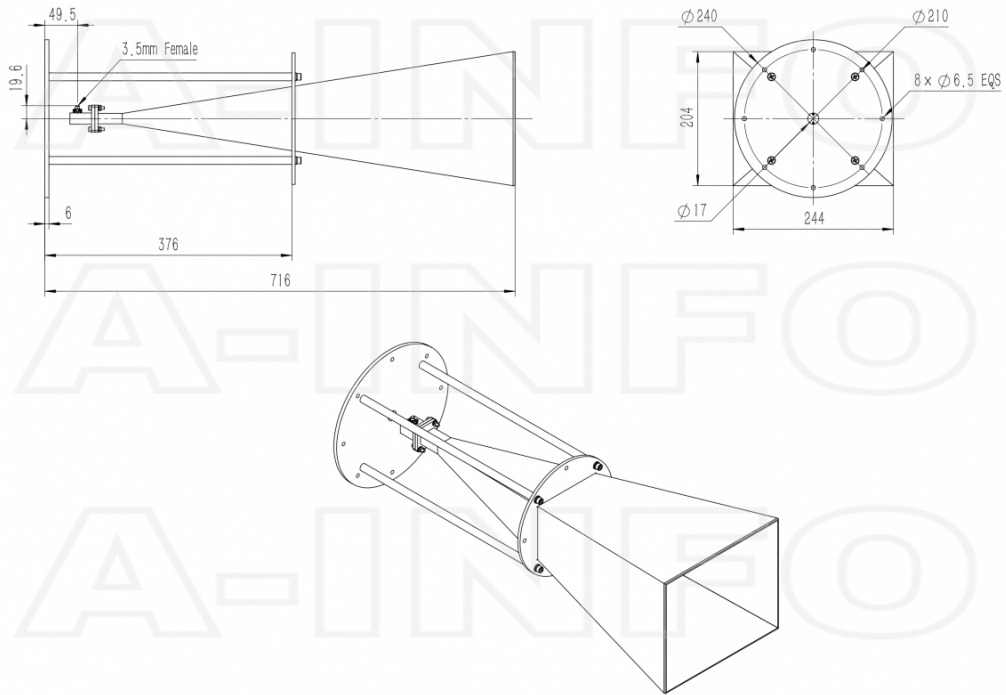
| | | | |
|-------------|---|--------------|---|
| Application | General Purpose Indoor & Outdoor, Fixed | Solution for | Gain Reference Antenna Measurement Reflector Feed Far-field Measurement System Intergration Material Measurement |
|-------------|---|--------------|---|

Outline Drawing

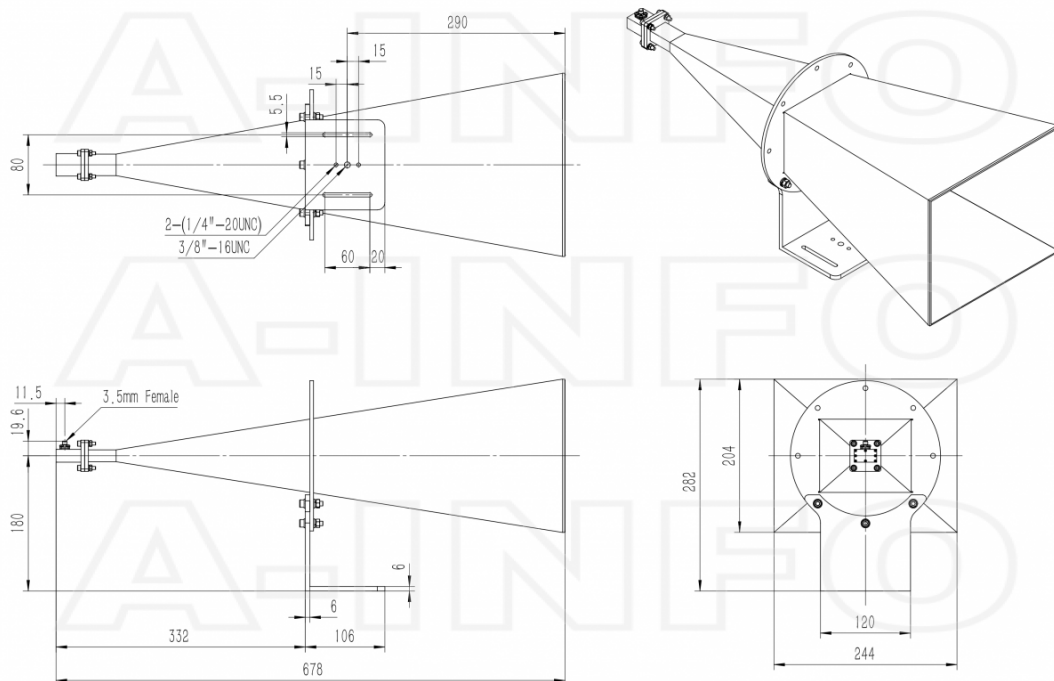
3.5mm Female Output (P/N: LB-90-25-C2-3.5F)



3.5mm Female Output with Round Mounting Bracket (Option, P/N: LB-90-25-MB2)

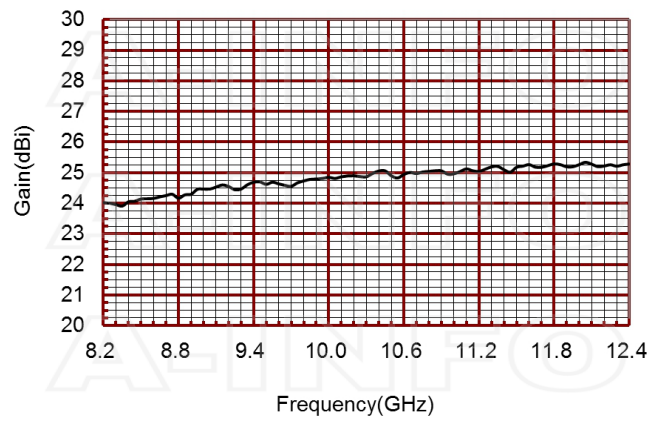


3.5mm Female Output with L Type Mounting Bracket (Option, P/N: LB-90-25-L2)

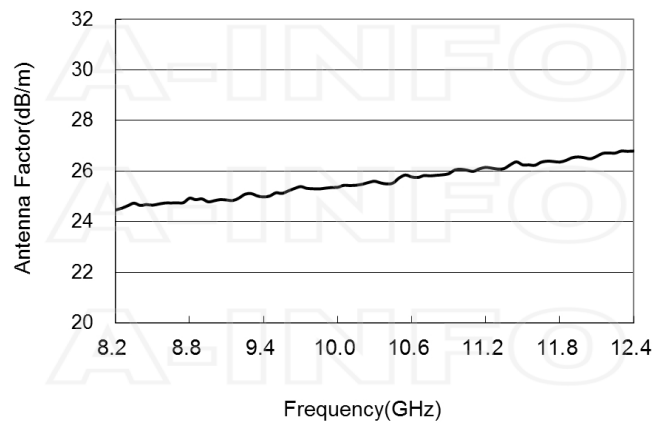


Typical Test Results

Gain



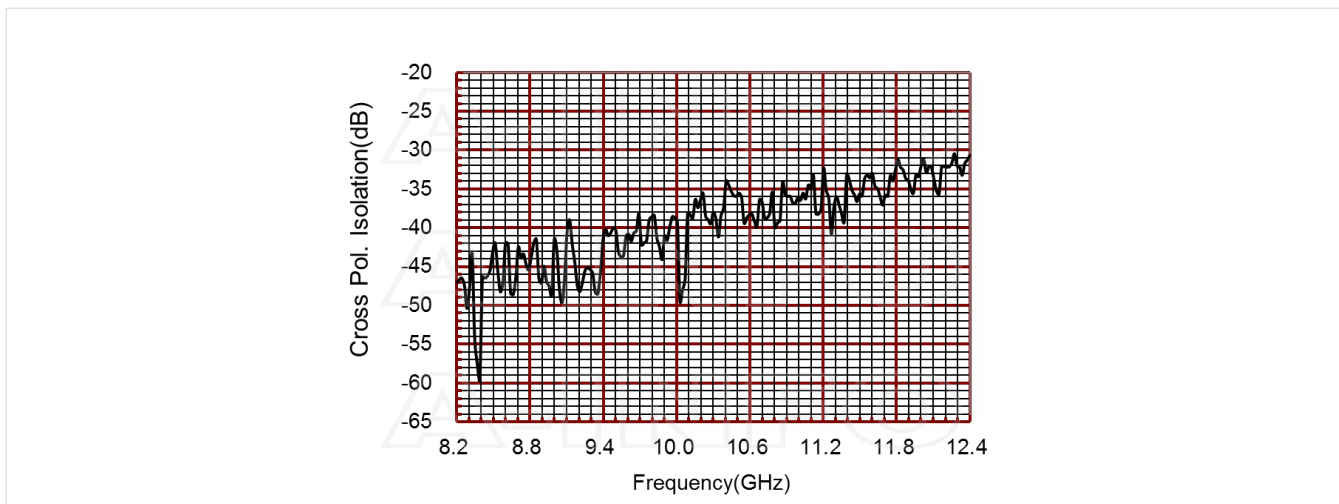
Antenna Factor



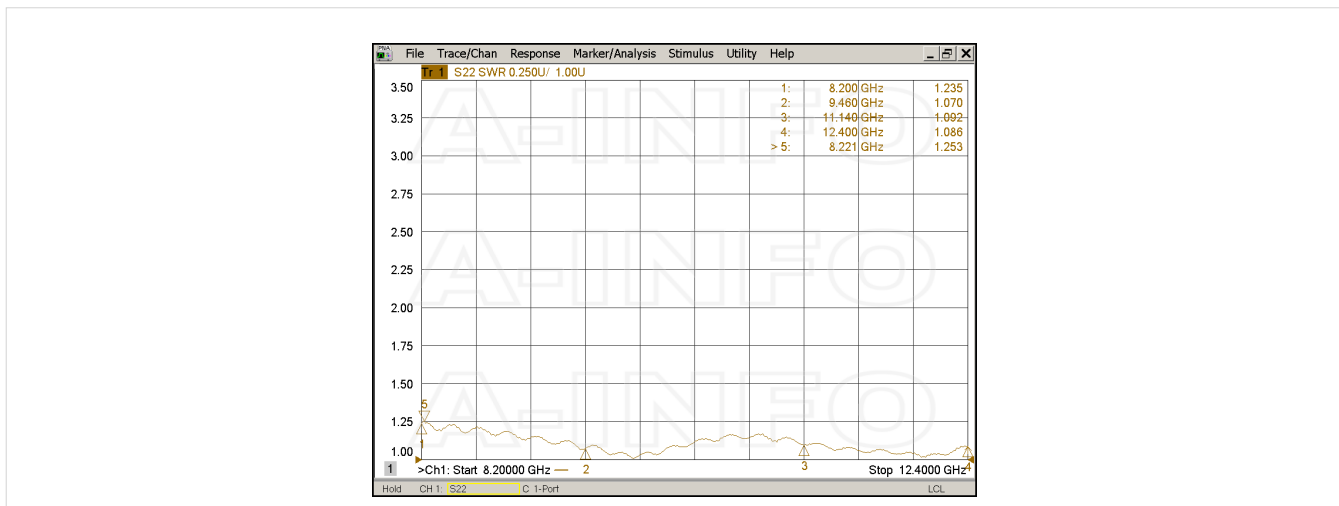
Antenna Factor (Table)

| Frequency(GHz) | Gain(dBi) | Antenna Factor(dB/m) |
|----------------|-----------|----------------------|
| 8.20 | 24.02 | 24.46 |
| 8.50 | 24.14 | 24.66 |
| 9.00 | 24.46 | 24.83 |
| 9.50 | 24.62 | 25.15 |
| 10.00 | 24.85 | 25.36 |
| 10.50 | 24.90 | 25.74 |
| 11.00 | 24.96 | 26.07 |
| 11.50 | 25.18 | 26.25 |
| 12.00 | 25.26 | 26.53 |
| 12.40 | 25.28 | 26.80 |

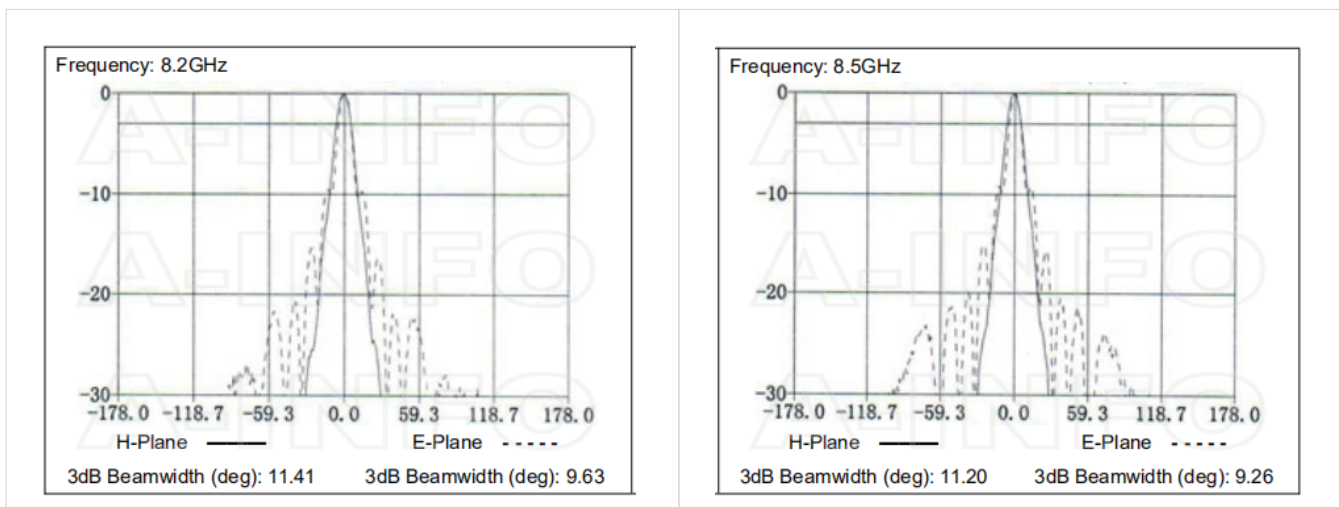
Cross Polarization Isolation

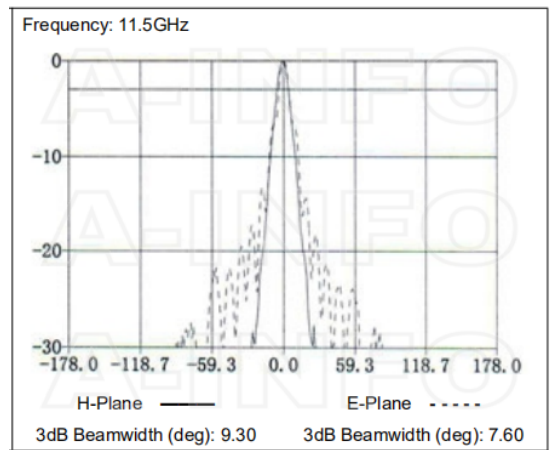
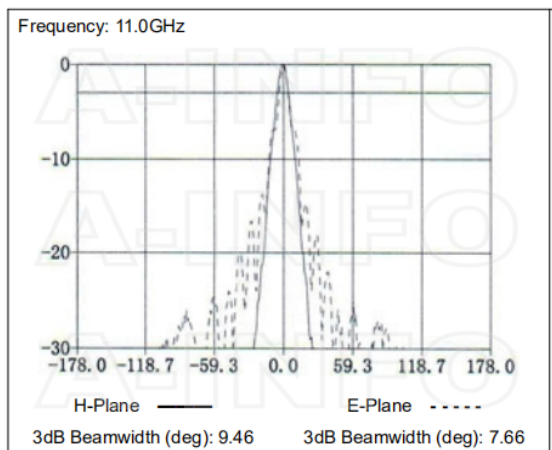
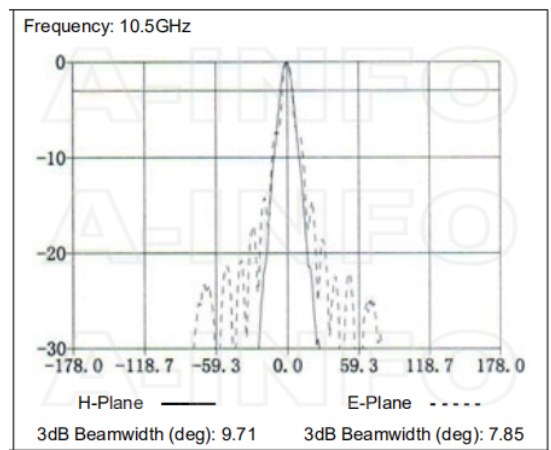
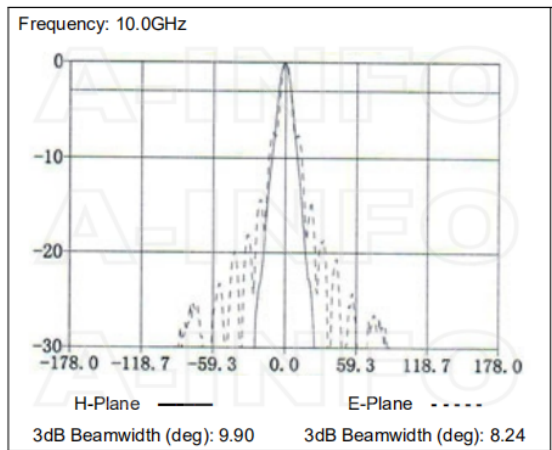
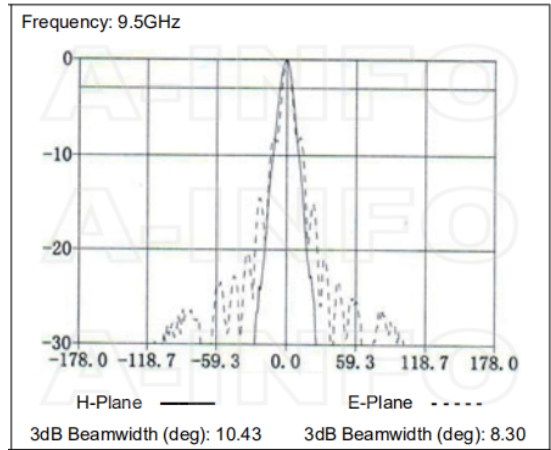
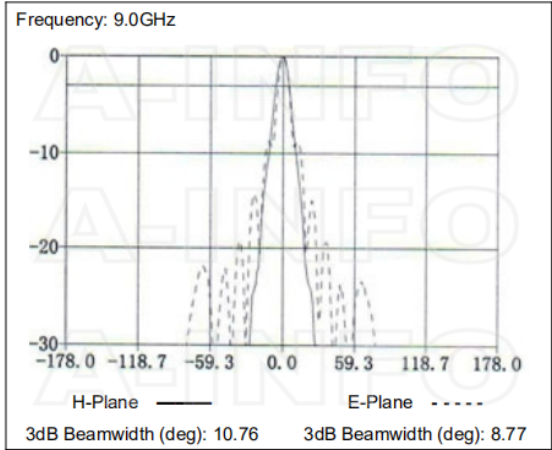


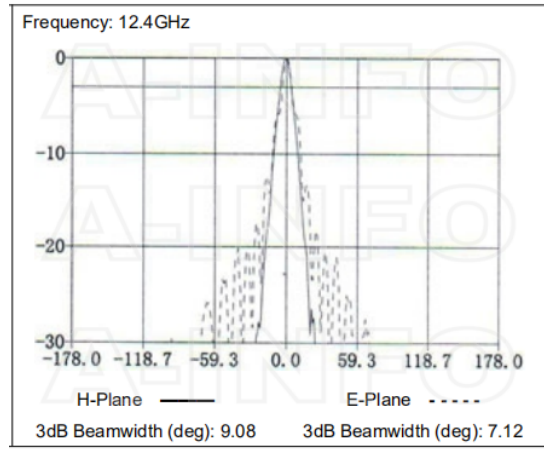
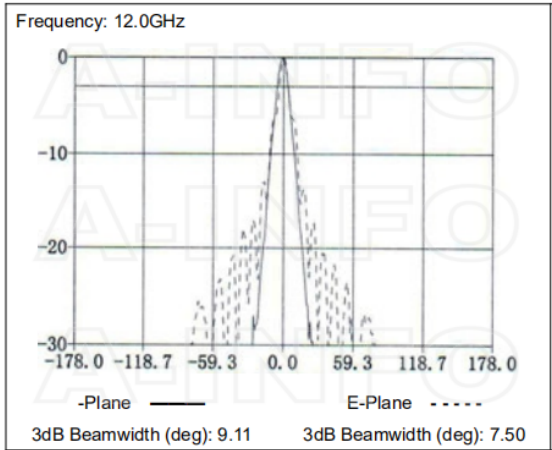
VSWR



Pattern







Related Products



LB-90-25-MB2 Round Type Mounting Bracket



LB-90-25-L2 L Type Mounting Bracket



Tripod_15Kg Al Alloy Tripod



3033HL Wooden Tripod



3033QM Wooden Tripod Metalfree



M4x20 Hex_Pack WR112- WR51 Flange Assembly Pack



M4x30 Hex_Pack Log Periodic, DS Assembly Pack

Similar Products



LB-90-25-A2 Standard Gain Horn Antenna 8.2-12.4GHz 25dB Gain Rectangular Waveguide Interface



LB-90-25-A2SPO Standard Gain Horn Antenna 8.2-12.4GHz 25dB Gain Rectangular Waveguide Interface



LB-90-25-C2-SF Standard Gain Horn Antenna 8.2-12.4GHz 25dB Gain SMA Female



LB-90-25-C2-SFSPO Standard Gain Horn Antenna 8.2-12.4GHz 25dB Gain SMA Female



LB-90-25-C2-NF Standard Gain Horn Antenna 8.2-12.4GHz 25dB Gain N Type Female



LB-90-25-C2-NFSPO Standard Gain Horn Antenna 8.2-12.4GHz 25dB Gain N Type Female



LB-90-25-C2-TF Standard Gain Horn Antenna 8.2-12.4GHz 25dB Gain TNC Female



LB-90-25-C2-TFSPO Standard Gain Horn Antenna 8.2-12.4GHz 25dB Gain TNC Female



LB-90-25-C2-7 Standard Gain Horn Antenna 8.2-12.4GHz 25dB Gain 7mm



LB-90-25-C2-7SPO Standard Gain Horn Antenna 8.2-12.4GHz 25dB Gain 7mm



LB-90-25-C2-3.5FSPO Standard Gain Horn Antenna 8.2-12.4GHz 25dB Gain 3.5mm Female

About this Datasheet

- **Product Information**

Product Link:
<https://www.ainfoinc.com/lb-90-25-c2-3-5f-standard-gain-horn-antenna-8-2-12-4-ghz-25db-gain-3-5mm-female>
 Data subject to change without notice.
 © A-INFO INC. 2023. All Rights Reserved

- **Contact Us**

Address:dd
 60 Tesla, Irvine, CA 92618,
 USA

Website:
www.ainfoinc.com

Email:
sales@ainfoinc.com

- **Phone & Fax**

Phone:
 +1-949-639-9688
 +1-949-639-9608

Fax:
 +1-949-639-9670